

COBRA

MODELS: GT3024V (GT-PS3035D)

COBRA GRASS TRIMMER OWNER'S MANUAL



Cobra Garden Machinery

Henton and Chattell Ltd., London Road, Nottingham NG2 3HW UK

www.cobragarden.co.uk



WARNING:









For your own safety please read this manual before attempting to operate your new unit. Failure to follow instructions can result in serious personal injury. Spend a few moments to familiarize yourself with your garden tool before each use. Keep this manual in a safe place, so that the information is available at all times. If you give the equipment to any other person, hand over these operating instructions and safety regulations as well.

CONTENTS

| | |
|--|----|
| Safety symbols..... | 3 |
| Safety precautions | 3 |
| General Safety | 4 |
| Description of the grass trimmer | 7 |
| Technical Data..... | 7 |
| Assembly | 8 |
| Starting and Operation | 13 |
| Maintenance and Care..... | 13 |
| Troubleshooting..... | 14 |
| Warranty..... | 14 |
| Disposal | 15 |
| EC-Declaration..... | 16 |

1. SYMBOLS

Some of the following symbols used on your tool, please study them and learn their meaning, proper interpretation of these symbols will allow you to operate the tool more safely and effectively.

| | | | |
|---|---|---|-----------------------|
|  | Caution / Warning! |  | Double insulation |
|  | Read the Instruction manual! |  | Keep bystanders away |
|  | Wear hearing protection |  | Keep bystanders away |
|  | Before any work on the product pull the power plug. |  | Do not expose to rain |

Safety precautions

When using the trimmer, the safety instructions must be closely followed. Read this manual carefully before starting the machine. Make sure that you know how to stop and switch off the motor in case of an accident. All instructions regarding safety and maintenance of the machine are for your own safety.

2. GENERAL SAFETY RULES

⚠ WARNING: Read all safety warnings and all instructions. Failure to follow the warnings and instructions may result in electric shock, fire and/or serious injury. Save all warnings and instructions for future reference. The term “power tool” in the warnings refers to your mains-operated (corded) power tool or battery operated (cordless) power tool.

2.1 WORK AREA SAFETY

- a) Keep work area clean and well lit. Cluttered or dark areas invite accidents.
- b) Do not operate power tools in explosive atmospheres, such as in the presence of flammable liquids gases or dust. Power tools create sparks which may ignite the dust or fumes
- c) Keep children and bystanders away while operating a power tool. Distractions can cause you to lose control.

2.2 ELECTRICAL SAFETY

- a) Power tool plugs must match the outlet. Never modify the plug in any way. Do not use any adapter plugs with earthed (grounded) power tools. Unmodified plugs and matching outlets will reduce risk of electric shock.
- b) Avoid body contact with earthed or grounded surfaces, such as pipes, radiators, ranges and refrigerators. There is an increased risk of electric shock if your body is earthed or grounded.
- c) Do not expose power tools to rain or wet conditions. Water entering a power tool will increase the risk of electric shock.
- d) Do not abuse the cord. Never use the cord for carrying, pulling or unplugging the power tool. Keep the cord away from heat, oil, sharp edges and moving parts. Damaged or entangled cords increase the risk of electric shock
- e) When operating a power tool outdoors, use an extension cord suitable for outdoor use. Use of a cord suitable for out-door use reduces the risk of electric shock.
- f) If operating a power tool in a damp location is unavoidable, use a residual current device (RCD) protected supply. Use of an RCD reduces the risk of electric shock.

2.3 PERSONAL SAFETY

- a) Stay alert, watch what you are doing and use common sense when operating a power tool. Do not use a power tool while you are tired or under the influence of drugs, alcohol or medication. A moment of distraction while operating power tools may result in serious personal injury.
- b) Use personal protective equipment. Always wear eye protection. Protective equipment such as dust mask, non-skid safety shoes, hard hat, or hearing protection used for appropriate conditions will reduce personal injuries.
- c) Prevent unintentional starting. Ensure the switch is in the off-position before connecting to power source and/or battery pack, picking up or carrying the tool. Carrying power tools with your finger on the switch or energising power tools that have the switch on invites accidents.
- d) Remove any adjusting key or wrench before turning the power tool on. A wrench or a key left attached to a rotating part of the power tool may result in personal injury.
- e) Do not overreach. Keep proper footing and balance at all times. This enables better control of the power tool in unexpected situations.
- f) Dress appropriately. Do not wear loose clothing or jewelry. Keep your hair, clothing and gloves away from moving parts. Loose clothes, jewelry or long hair can be caught in moving parts.
- g) If devices are provided for the connection of dust extraction and collection facilities, ensure these are connected and properly used. Use of dust collection can reduce dust-related hazards.

2.4 POWER TOOL USE AND CARE

- a) Do not force the power tool. Use the correct power tool for your application. The correct power tool will do the job better and safer at the rate for which it was designed.

- b) Do not use the power tool if the switch does not turn it on and off. Any power tool that cannot be controlled with the switch is dangerous and must be repaired.
- c) Disconnect the plug from the power source and/or the battery pack from the power tool before making any adjustments, changing accessories, or storing power tools. Such preventive safety measures reduce the risk of starting the power tool accidentally.
- d) Store idle power tools out of the reach of children and do not allow persons unfamiliar with the power tool or these instructions to operate the power tool. Power tools are dangerous in the hands of untrained users.
- e) Maintain power tools. Check for misalignment or binding of moving parts, breakage of parts and any other condition that may affect the power tool's operation. If damaged, have the power tool repaired before use. Many accidents are caused by poorly maintained power tools.
- f) Keep cutting tools sharp and clean. Properly maintained cutting tools with sharp cutting edges are less likely to bind and are easier to control.
- g) Use the power tool, accessories and tool bits etc. in accordance with these instructions, taking into account the working conditions and the work to be performed. Use of the power tool for operations different from those intended could result in a hazardous situation.

2.5 BATTERY TOOL USE AND CARE

- a) Recharge only with the charger specified by the manufacturer. A charger that is suitable for one type of battery pack may create a risk of fire when used with another battery pack.
- b) Use power tools only with specifically designated battery packs. Use of any other battery packs may create a risk of injury and fire.
- c) When the battery pack is not in use, keep it away from other metal objects, like paper clips, coins, keys, nails, screws or other small metal objects, that can make a connection from one terminal to another. Shorting the battery terminals together may cause burns or a fire.
- d) Under abusive conditions, liquid may be ejected from the battery; avoid contact. If contact accidentally occurs, flush with water. If liquid contacts eyes, additionally seek medical help. Liquid ejected from the battery may cause irritation or burns.

2.6 SERVICE

Have your power tool serviced by a qualified repair person using only identical replacement parts. This will ensure that the safety of the power tool is maintained.

2.6.1 Grass trimmer safety warnings

1. Keep all parts of the body away from the trimmer line. Do not remove cut material nor hold material to be cut when the head is moving. Make sure the switch is off when clearing jammed material. A moment of distraction while operating the trimmer may result in serious personal injury.
2. Carry the trimmer by the handle. Proper handling of the trimmer will reduce possible personal injury from the cutter blades.
3. Hold the power tool by the insulated grip surfaces only to protect against potential

electric shock.

2.6.2 Additional safety warnings

1. This tool is not intended for use by persons (including children) with reduced physical, sensory or mental capabilities, or lack of experience and knowledge, unless they have been given supervision or instruction concerning use of the appliance by a person responsible for their safety.

Children should be supervised to ensure that they do not play with the appliance.

2. When working with the machine, always hold it firmly with both hands and provide for a secure stance. The power tool is more securely held with both hands.

3. Always ensure all handles and guards are fitted when using the machine. Never attempt to use an incomplete machine or one fitted with an unauthorized modification.

4. Wait until the machine has come to a stand still before placing it down.

5. Do not open the battery. There is a danger of short circuiting. Protect the battery against heat, also against continuous sun radiation and fire. There is danger of explosion.

6. In the case of damage and improper use of the battery, vapours may be emitted. Provide fresh air and seek medical help in this case. The vapours can irritate the respiratory system.

7. When the battery is defective, liquid can escape and come into contact with adjacent components. Check any parts concerned. Clean such parts or replace them, if required.

8. Use the correct battery only for the intended power tool. Avoid dangerous overloading of the battery.

2.6.3 Safety Warnings for battery chargers

1. Keep the battery charger away from rain or moisture. Penetration of water in the battery charger increases the risk of an electric shock.

2. Do not charge other batteries. The battery charger is suitable only for charging lithium ion batteries within the listed voltage range. Otherwise there is danger of fire and explosion.

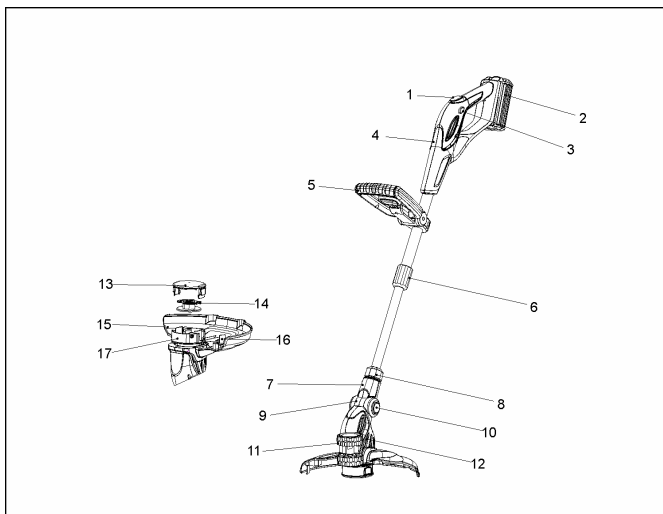
3. Keep the battery charger clean. Contamination can lead to danger of an electric shock.

4. Before each use, check the battery charger, cable and plug. If damage is detected, do not use the battery charger. Never open the battery charger yourself. Have repairs performed only by a qualified technician and only using original spare parts. Damaged battery chargers, cables and plugs increase the risk of an electric shock.

5. Do not operate the battery charger on easily inflammable surfaces (e. g., paper, textiles, etc.) or surroundings. The heating of the battery charger during the charging process can pose a fire hazard.

6. Children should be supervised to ensure that they do not play with the battery charger.

3. GENERAL IDENTIFICATION



- | | | | |
|---|------------------------|----|----------------------------|
| 1 | Switch Button Panel | 9 | Motor Body |
| 2 | Battery Pack | 10 | Rotating Button |
| 3 | Lock-off Slider | 11 | Edging Wheel |
| 4 | Handle Clamshell | 12 | Middle Motor Clamshell |
| 5 | Middle Handle | 13 | Cutting Head Cap |
| 6 | Twist Lock – Handle | 14 | Spool |
| 7 | Rotating Lower Section | 15 | Guard |
| 8 | Rotated Cover | 16 | Razor Blade – Line Trimmer |
| | | 17 | Autofeed Cutting Head |

4. TECHNICAL DATA

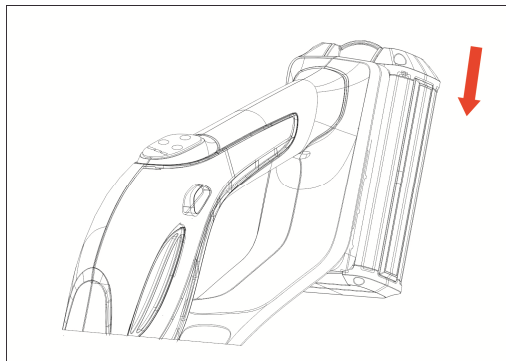
| | |
|------------------------------|--------------|
| Model: | GT3024V |
| Nominal voltage | 24V |
| No-load speed n ₀ | 8500/6000Rpm |
| Weight | 2.7 (3.5) kg |
| Cutting width | 300 mm |
| Cutting line diameter | 1.6 mm |
| Battery | 24v 2Ah |

5. ASSEMBLY

⚠ WARNING: Switch off and remove the battery from machine before adjusting or cleaning. The head will continue to move for a fraction of a second after the trimmer is switched off. Do not touch the moving nylon line or the trimmer head.

5.1 FITTING THE BATTERY

The battery is supplied from the factory partly charged. Before using the tool for the first time, charge the battery for a minimum 5 hours. Thereafter the normal charging time is 2 to 3 hours.



Inserting battery pack

Hold the battery pack with one hand and slide the battery pack underneath the rear handle as shown above. The battery will firmly locate with a click sound.

Removing battery pack

Release the battery pack by pressing the lock/release button with one hand and pull out the battery with the other hand.

5.2 BATTERY PRECAUTIONS

1. Never open the battery.
2. Never expose the battery to open fire.
3. Use only an original battery. An alternative battery can damage the power tool.
4. Rated charge voltage: 100V~240V, 50Hz/60Hz.
5. Use only the original charger, an alternative charger can damage the battery.
6. After long periods of using the power tool, the battery can become warm. Allow it to cool off before it is charged again.
7. Keep both charger and battery away from children.
8. Store the battery below 40° and above 10° C.
9. Never short-circuit the poles of the battery.

10. Do not use the charger in an environment where there are toxic fumes or flammable liquids.

11. Only use the charger indoors.

Start charging the battery for a minimum of 5 hours before using the machine the first time. Thereafter the normal charging time is approximately 2 to 3 hours.

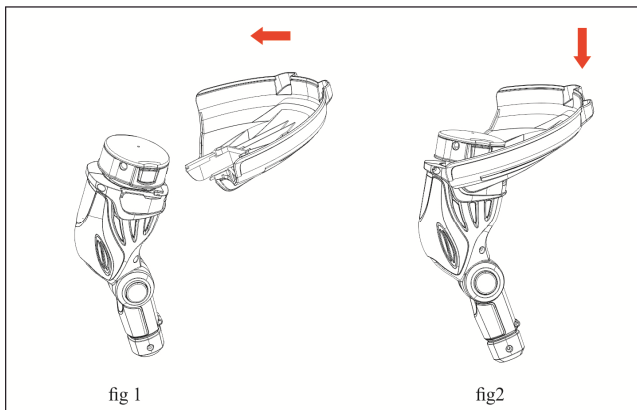
The battery will stop charging when it is full. But it is recommended to disconnect the charger once charged. The battery may be charged at any point, even if it is not completely empty.

During charging, the red LED indicator on the charger will flash. When the battery is full the LED will stay illuminated. When charging, the surface of the battery will be warm. This is perfectly normal. Store the battery fully charged.

Important

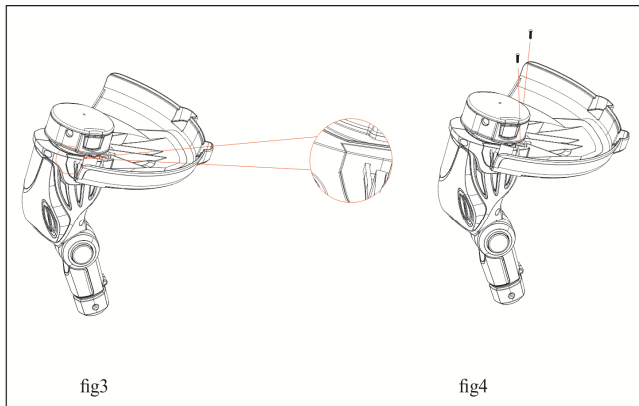
To protect the battery against deep discharging, when the battery charge is low, the garden power tool will automatically switch off via a protective circuit. The trimmer will stop. Do not continue to press the on/off switch after an automatic shut-off of the trimmer. The battery may be damaged if excessively discharged. Recharge the battery before continuing to use the grass trimmer.

5.3 FITTING THE GUARD



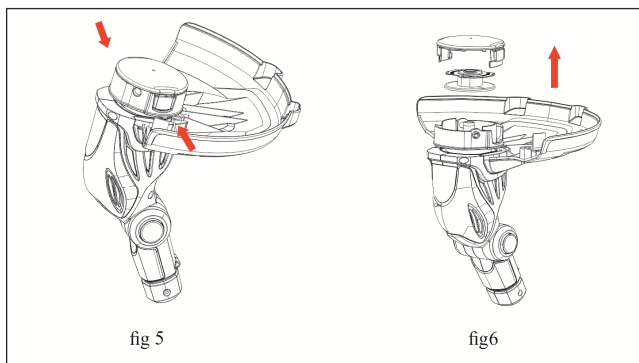
Insert the locating support of the guard into the trimmer head as shown in figure1 above, carefully push the guard down, see figure 2, so that it locks in place.

Ensure the guard is positioned as shown in figure 3, then proceed to fix the screws in place as illustrated below in figure 4.



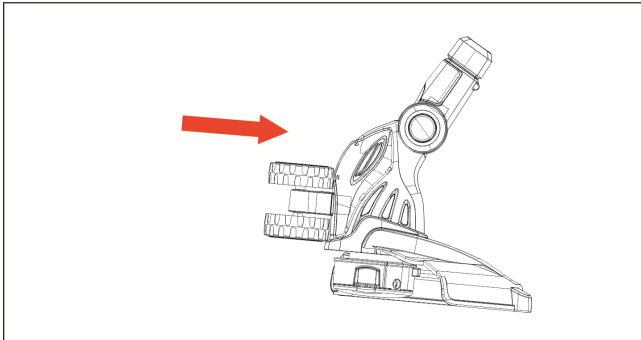
5.4 FITTING THE SPOOL

To remove the spool and replace the nylon line: Firstly press the two tabs on the side of the trimmer head, figure 5. Removing the head cover allows access to the spool. The spool may be replaced entirely or alternatively 1.6mm nylon line may be rewound onto the spool. Ensure the line passes through the eyelets of the head correctly.



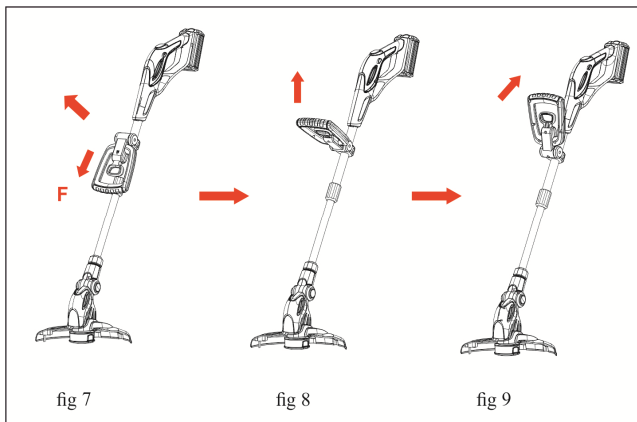
5.5 FITTING THE EDGING WHEEL

The lawn edging wheel is simply push fitted into place, with a firm locking mechanism.



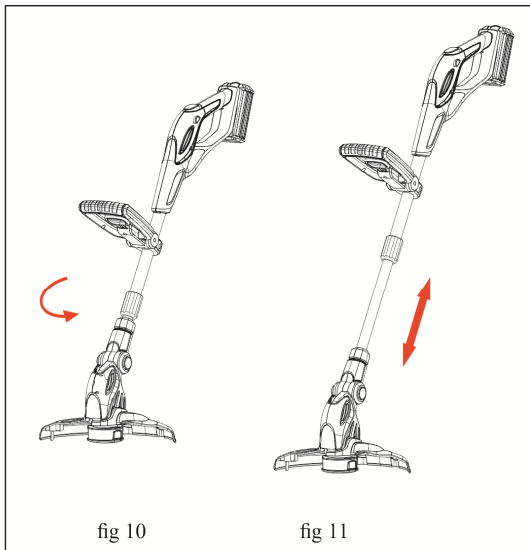
5.6 ADJUSTING THE HANDLE POSITION

The middle support handle position may be adjusted by pulling the lever 'F' as illustrated in figure 7. Releasing the lever locks the handle in position.



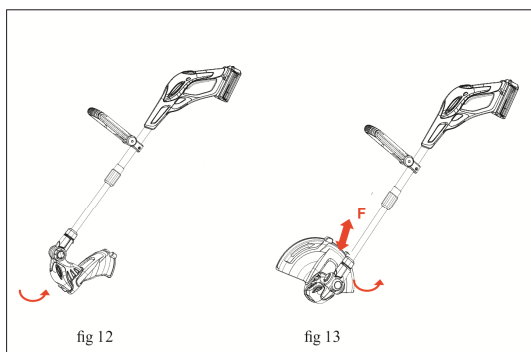
5.7 CHANGING THE TRIMMER HEIGHT

The height of the trimmer may be adjusted by turning the central tube lock anti-clockwise to allow the tube to be extended or shortened as required. Turn the lock clockwise to lock the position in place.



5.8 CHANGING THE TRIMMER HEAD POSITION

The trimmer head angle may be adjusted by pressing the head rotation button, as shown in figure 12. The rotation collar mounted on the trimmer shaft, allows the trimmer head to be rotated for lawn edging. See figure 13.



6. STARTING AND OPERATING INSTRUCTIONS



Step 1: Firstly press the power key until the “ECO” light is illuminated;

Step 2: Press the slider switch in and then engage the handle trigger, the motor will operate at a low speed;

Step 3: If you want to change from the low speed position to high speed position, press the “TURBO” button. The trimmer will now operate at high speed.

To switch back to the slower speed press the “ECO” button.

The trimmer is equipped with a two safety switch system. To engage the motor, firstly press the lock slider and then squeeze the main handle trigger. Releasing the trigger stops the motor.

7. MAINTENANCE AND CARE

⚠ WARNING: Switch off and remove the battery from the machine before adjusting or cleaning. For safe and proper working, always keep the garden product clean.

Note: To ensure long and reliable service, carry out the following maintenance regularly.

1. If the garden product should happen to fail despite the care taken in manufacture and testing, repair should be carried out by an authorized customer service agent for Cobra products.

2. Use only manufacturer’s recommended replacement parts and accessories

⚠ WARNING: Switch the machine off and remove the battery. Ensure the battery is removed before storage.

1. Clean the exterior of the machine thoroughly using a soft brush and cloth. Do not use water, solvents or polishes. Remove all debris, especially from the ventilation slots of the motor.

2. Clear the nylon line cutting head assembly of grass and other debris that may

accumulate.

3. Store the trimmer in a secure, dry place out of the reach of children. Do not place other objects on top of the machine.

4. The battery should be stored between 0 ° C and 50 ° C.

8. TROUBLESHOOTING

The following chart lists problem symptoms, possible causes and corrective action, if your garden product does not operate properly. If these do not identify and correct the problem, contact your service agent.



WARNING: Switch off and remove the battery prior to any troubleshooting.

| Error | Reason | Solution |
|---|--|--|
| Line will not advance when tapping the bump feed button | 1.Line is welded to itself 2.Not enough line on the spool 3.Line is worn too short | 1.Lubricate with a silicone spray 2.Install more line (refer to replacing the cutting line earlier in this manual) 3. Pull lines while alternately pressing down on and releasing bump button. |
| Bump head is hard to use | Grass wrapped or built up around head | Clean affected parts of the machine |
| Grass wraps around the attachment shaft and the trimmer head assembly | Cutting very tall grass at ground level | Cut tall grass from the top down |

9. WARRANTY

This product is warranted in accordance with legal regulations for a 24 month period effective from the date of purchase by the first user.

This product will not be covered if used in a commercial application.

This warranty covers all material or production failures, it does not include: defects from normal wear and tear, parts such as, bearings, brushes, cables, air cleaning elements, brake pad, clutch disc, tyre, wheel, recoil starter rope, belts, cutter blades, plugs, lubricant

oils and grease or accessories. Damage or defects resulting from abuse, accidents or alterations, natural fading of painted or plated surfaces, sheet peeling and other natural deterioration.

Any damage that occurs from the use of non-genuine Cobra parts will not be covered. We reserve the right to reject any claim where the purchase cannot be verified or when it is clear that the product was not maintained properly. (Clean ventilation slots, carbon brushes and serviced regularly)

Expenses incidental to the warranty claim that are not covered;

-Compensation for loss of time, commercial loss or rental costs of substitute product.

-Costs incurred for transportation to and from the dealership.

Any damage that occurs from the following will not be covered; exposure of the product to smoke and soot, chemical agents, bird droppings or other animal waste, seawater, sea breeze, salt or other environmental phenomena.

Any damage resulting from operating methods other than those indicated in the owner's manual will not be covered.

Your purchase receipt must be kept as proof for date of purchase. Your un-dismantled product must be returned to your dealer in an acceptably clean state, accompanied by your proof of purchase.

Please Register Your Product:

If your dealer did not collect registration information from you, please take a few minutes and register your purchase with Cobra.

You can register by completing and mailing the registration card that should be in the box or by going online to: www.cobragarden.co.uk and clicking on Product Registration.

Before using the product, all operators must read this manual

10. ENVIRONMENTALLY FRIENDLY DISPOSAL




According to EU directive 2012/19/EU on electric and electronic equipment and its implementation into national law, all electric tools must be separately collected and environmentally friendly recycled. Alternative disposal: If the owner of the power tool does not return the tool to the manufacturer, he is responsible for proper disposal at a designated collection point that prepares the device for recycling according to national recycling laws and regulations.

This does not include accessories and tools without electric or electronic components.



11. EC-DECLARATION OF CONFORMITY

| | |
|--|--|
| We herewith declare, | Cobra Garden Machinery, Henton & Chattell Ltd, London Road, Nottingham NG2 3HW UK |
| That the following machine complies with the appropriate basic safety and health requirements of the EC Directive based on its design and type, as brought into circulation by us. | |
| In case of alteration of the machine, not agreed upon by us, this declaration will lose its validity | |
| Product | Cordless Grass Trimmer |
| Machine Type: | GT5024V (GT-S3035D) |
| Rated voltage | 24V d.c |
| Cutting length: | 300mm |
| Measured sound power level: | 95.4dB(A) |
| Guaranteed sound power level: | 96dB(A); Notified Body for EC Directive 2000/14/EC:0036 Intertek Testing Services Shanghai, Building no. 86, 1198 Quinzhou Road (North) Shanghai. |
| Applicable EC Directives: | EC Directive of Electromagnetic Compatibility 2014/30/EU EC Machinery Directive 2006/42/EC EC Directive of noise emission 2000/14/EC |
| Applicable Harmonized Standards: | EN 60745-1 EN 60745-2-15 EN 55014-1 EN 55014-2 |
| Authorized Signature/Date/ Place: |  Peter J. Chaloner 23-12-2015 |
| Title of Signatory: | Managing Director |
| Name and address of the person authorized to compile the technical file | Cobra Garden Machinery, Henton & Chattell Ltd, London Road, Nottingham NG2 3HW UK |